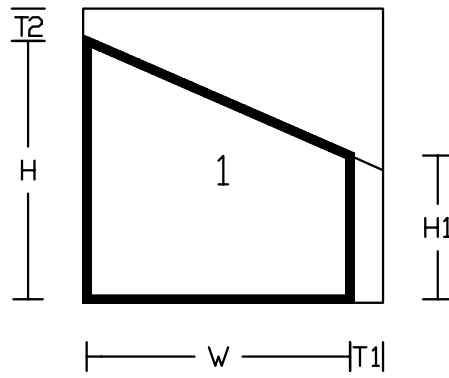


Catalogue de formes
Modellkatalog
Shape Catalogue
Catálogo de formas

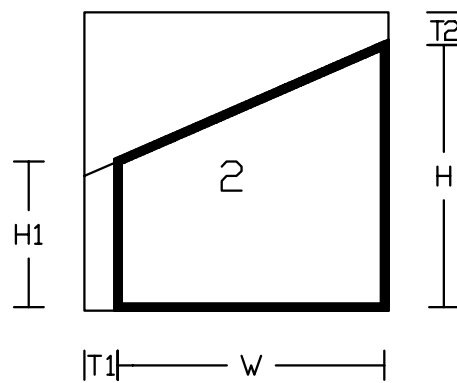


ALBAT+

WIRSAM

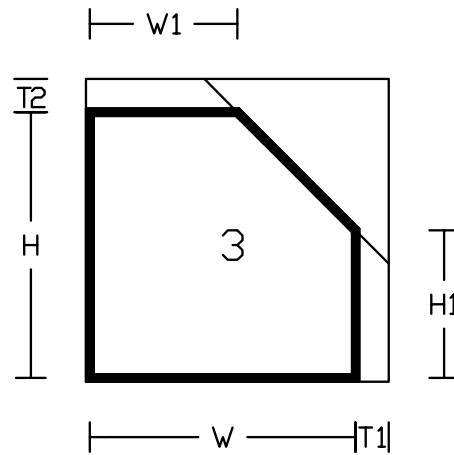


$$H_1 < H$$
$$H_1 > 0$$
$$W > 0$$

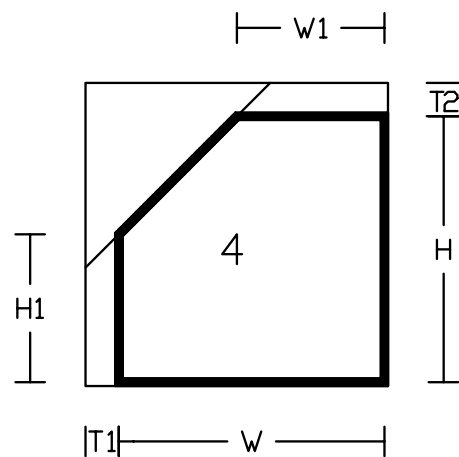


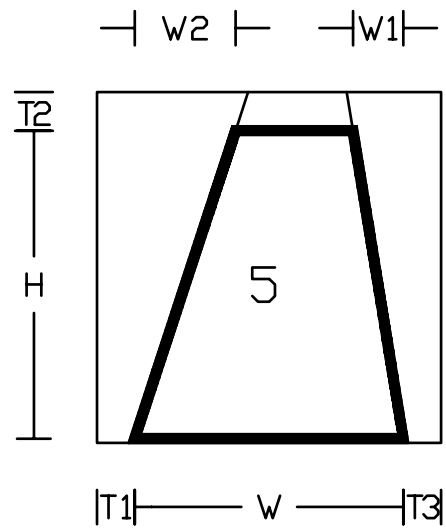
$$H_1 < H$$
$$H_1 > 0$$
$$W > 0$$

$H1 < H$
 $W1 < W$
 $H1 > 0$
 $W1 > 0$

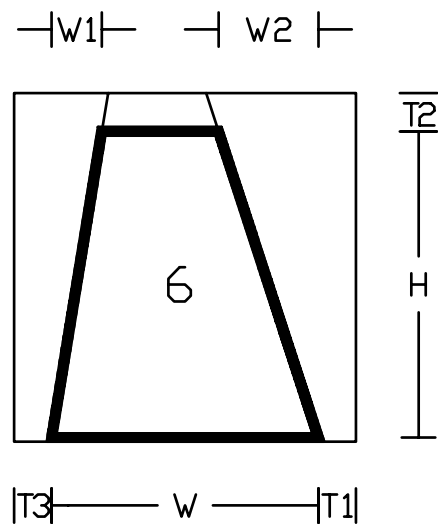


$H1 < H$
 $H1 > W$
 $H1 > 0$
 $W1 > 0$





$$w_2 + w_1 \leq w$$
$$H > 0$$
$$w_1 > 0$$
$$w_2 > 0$$



$$w_2 + w_1 \leq w$$
$$H > 0$$
$$w_1 > 0$$
$$w_2 > 0$$

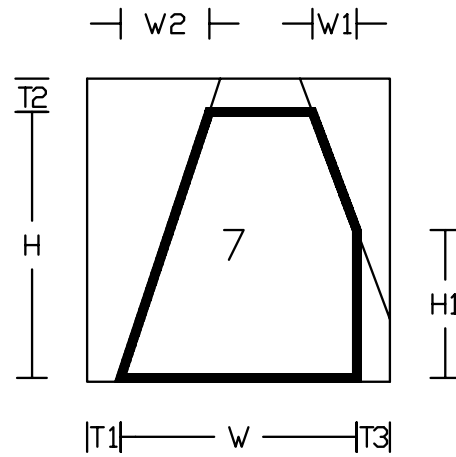
$$W2 + W1 \leq W$$

$$H1 < H$$

$$H1 > 0$$

$$W1 > 0$$

$$W2 > 0$$



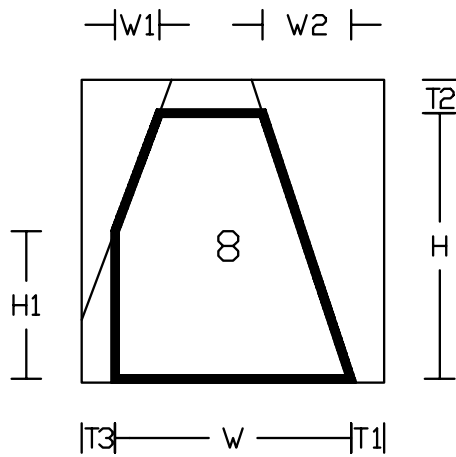
$$W2 + W1 \leq W$$

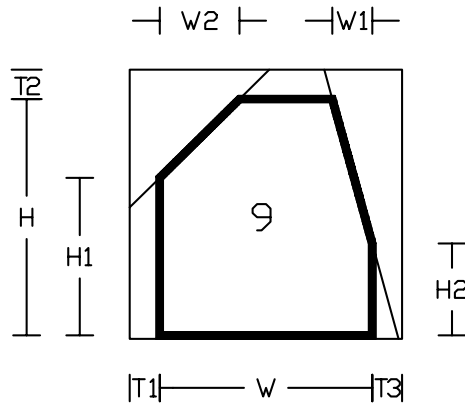
$$H1 < H$$

$$H1 > 0$$

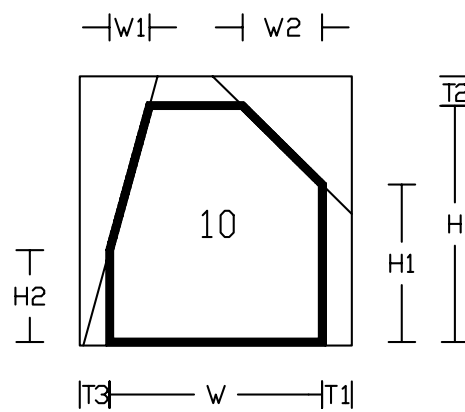
$$W1 > 0$$

$$W2 > 0$$



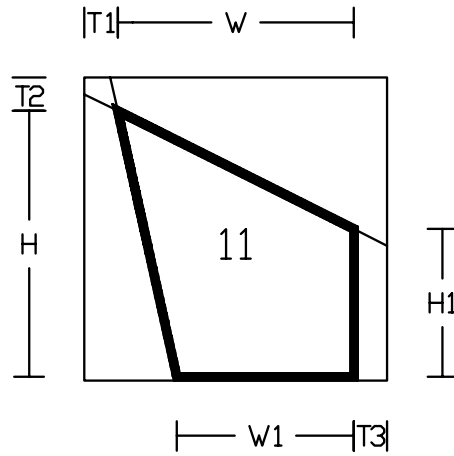


$$\begin{aligned}
 H_2 &\leq H_1 < H \\
 W_2 + W_1 &\leq W \\
 H_2 &> 0 \\
 W_1 &> 0 \\
 W_2 &> 0
 \end{aligned}$$

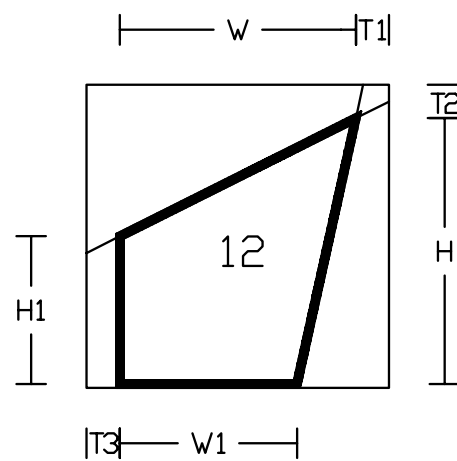


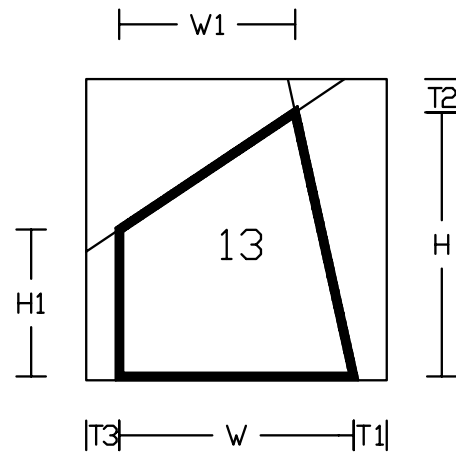
$$\begin{aligned}
 H_2 &\leq H_1 < H \\
 W_2 + W_1 &\leq W \\
 H_2 &> 0 \\
 W_1 &> 0 \\
 W_2 &> 0
 \end{aligned}$$

$H1 < H$
 $W1 < W$
 $W1 > 0$
 $H1 > 0$

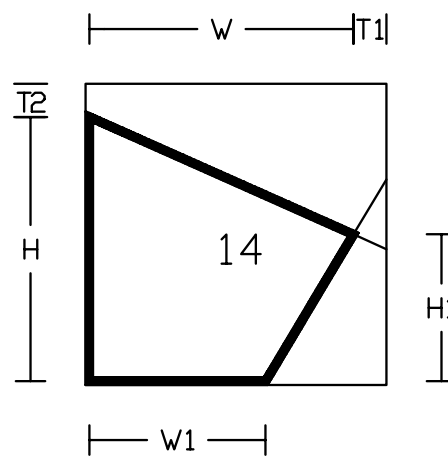


$H1 < H$
 $W1 < W$
 $W1 > 0$
 $H1 > 0$



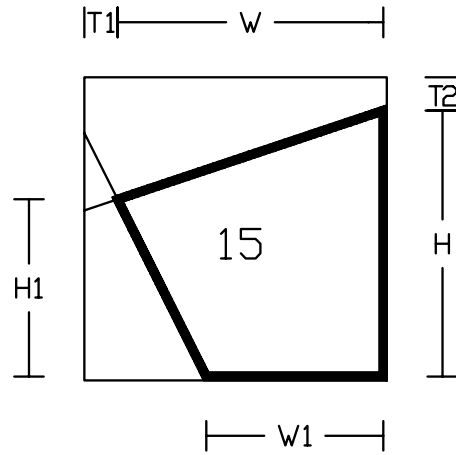


$H1 < H$
 $w1 < w$
 $w1 > 0$
 $H1 > 0$

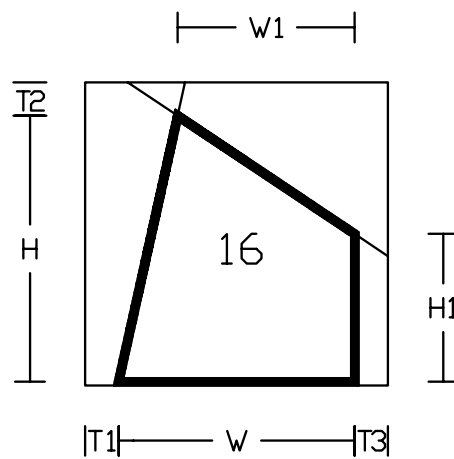


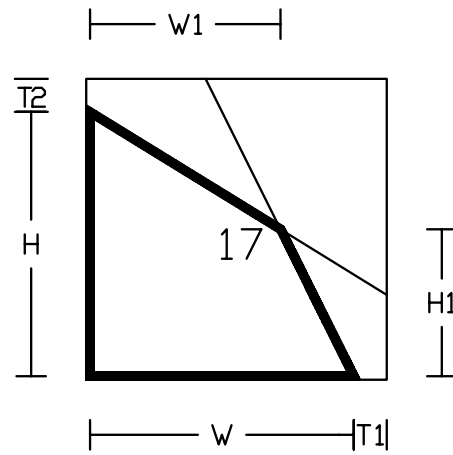
$H1 < H$
 $w1 < w$
 $w1 > 0$
 $H1 > 0$

$H1 < H$
 $W1 < W$
 $W1 > 0$
 $H1 > 0$

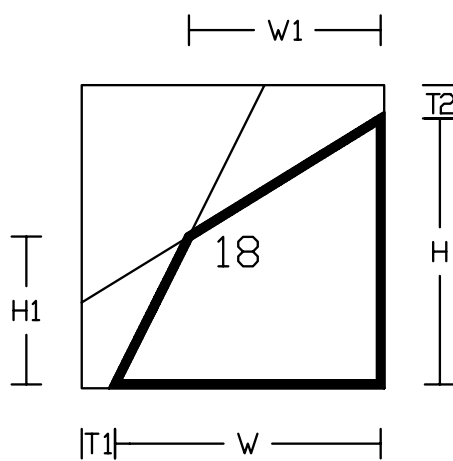


$H1 < H$
 $W1 < W$
 $W1 > 0$
 $H1 > 0$





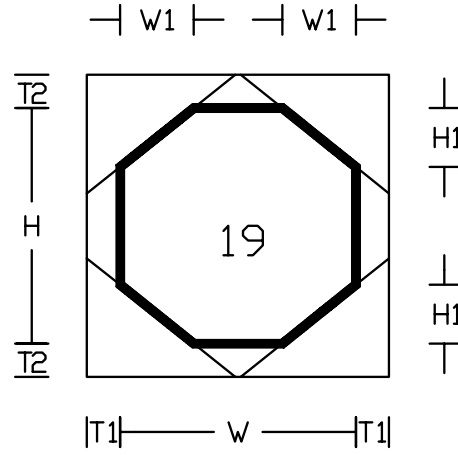
$H1 < H$
 $W1 < W$
 $W1 > 0$
 $H1 > 0$



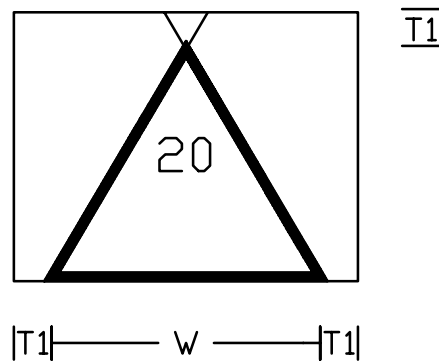
$H1 < H$
 $W1 < W$
 $W1 > 0$
 $H1 > 0$

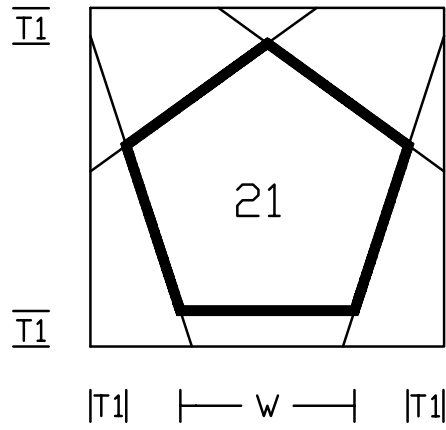


$2 * H1 < W$
 $2 * W1 < W$
 $H1 > 0$
 $W1 > 0$

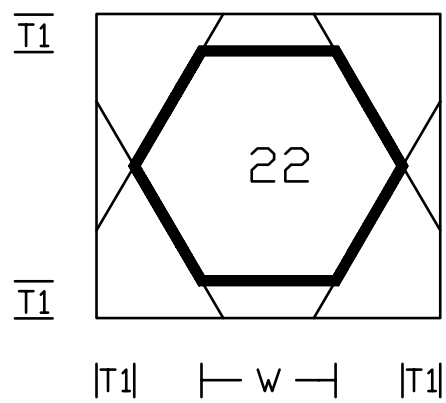


$W > 0$



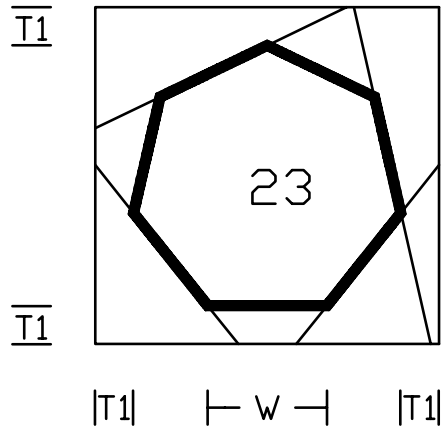


$w > 0$

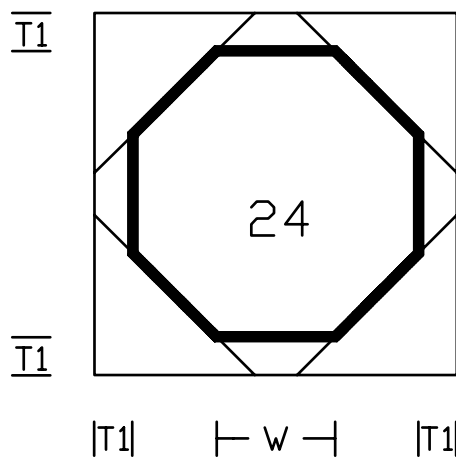


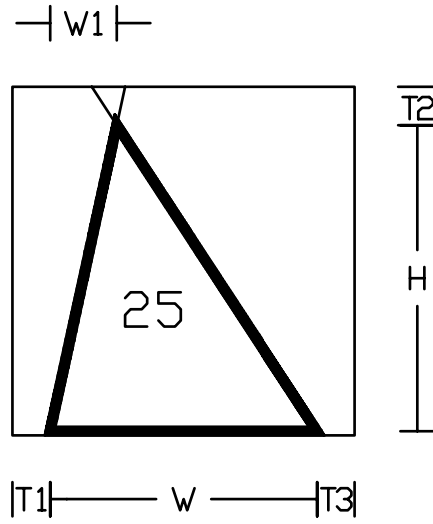
$w > 0$

$W > 0$

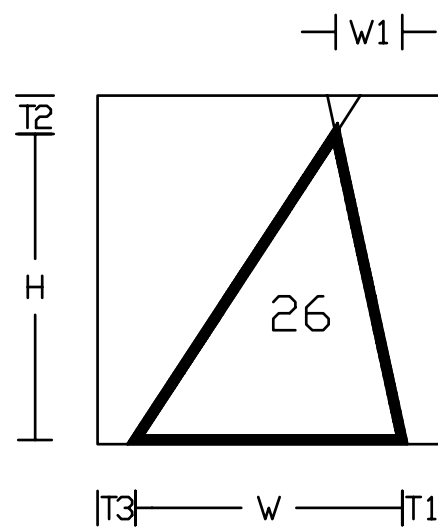


$W > 0$



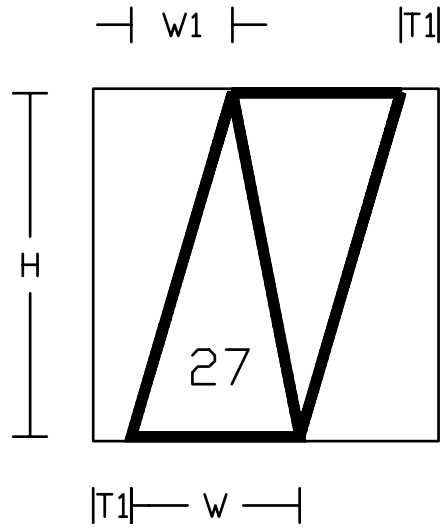


$$H > 0$$
$$W > 0$$
$$W_1 > 0$$

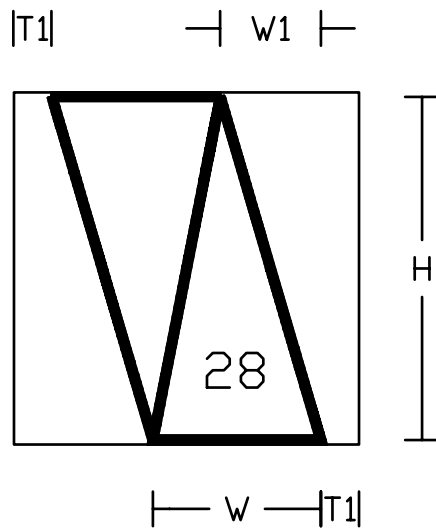


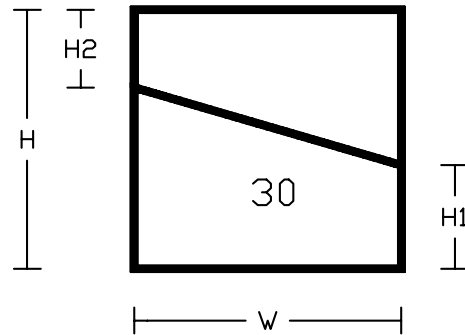
$$H > 0$$
$$W > 0$$
$$W_1 > 0$$

$H > 0$
 $W > 0$
 $W1 > 0$

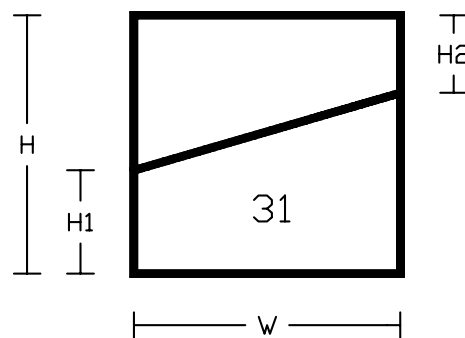


$H > 0$
 $W > 0$
 $W1 > 0$



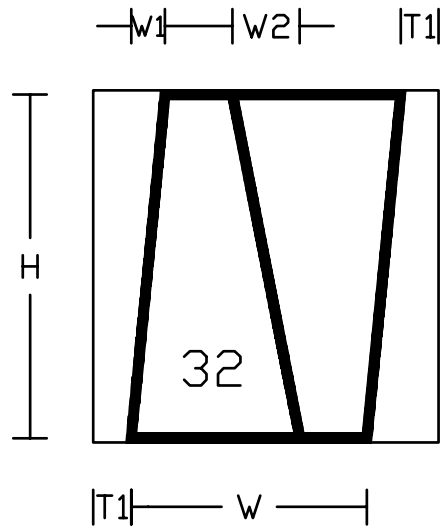


$$H > H_1 + H_2$$
$$W > 0$$
$$H_1 > 0$$
$$H_2 > 0$$

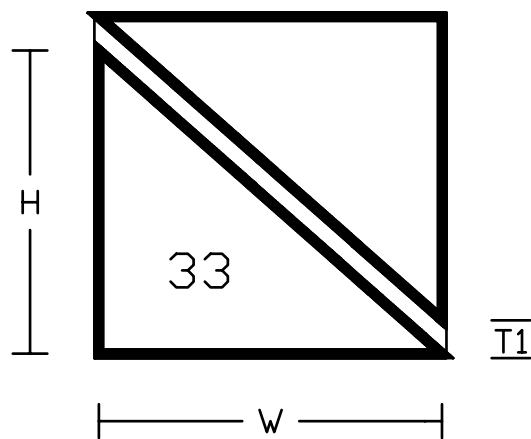


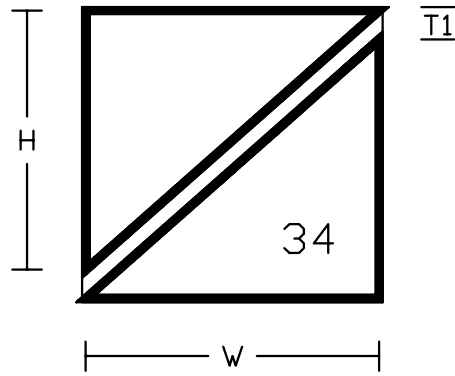
$$H > H_1 + H_2$$
$$W > 0$$
$$H_1 > 0$$
$$H_2 > 0$$

$W2 + 2 * W1 \leq W$
 $W > 0$
 $H > 0$
 $W1 > 0$
 $W2 > 0$

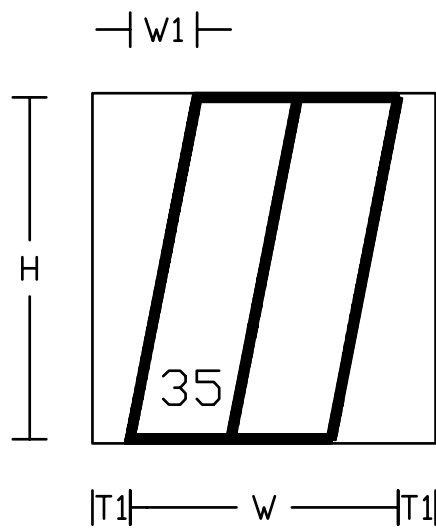


$W > 0$
 $H > 0$



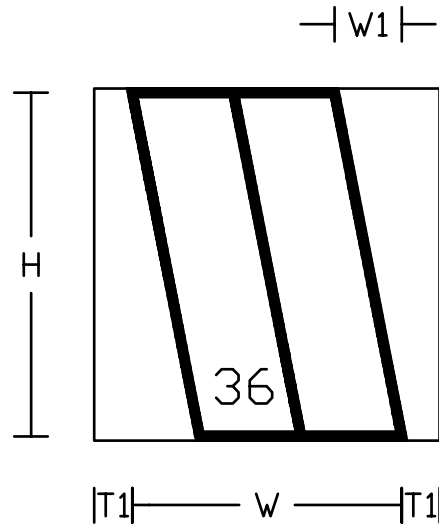


$W1 < W$
 $W1 > 0$
 $H > 0$

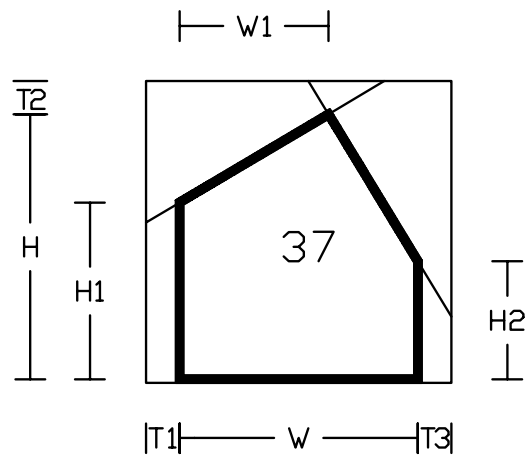


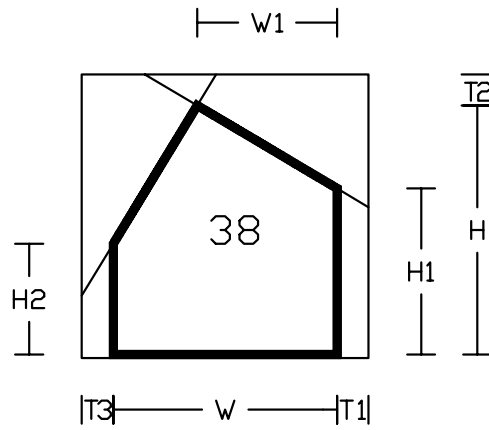
$W1 < W$
 $W1 > 0$
 $H > 0$

$W1 < W$
 $W1 > 0$
 $H > 0$



$H2 \leq H1 < H$
 $W1 < W$
 $W > 0$
 $W1 > 0$
 $H2 > 0$





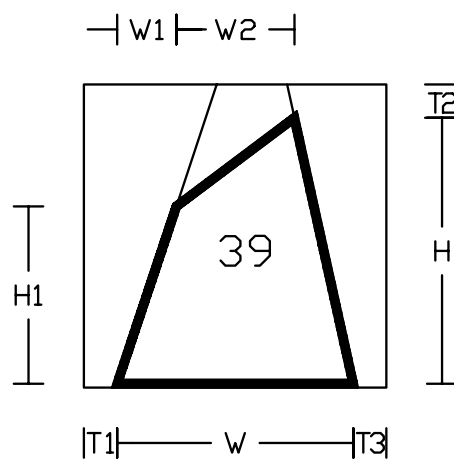
$$H_2 \leq H_1 < H$$

$$w_1 < w$$

$$w > 0$$

$$w_1 > 0$$

$$H_2 > 0$$



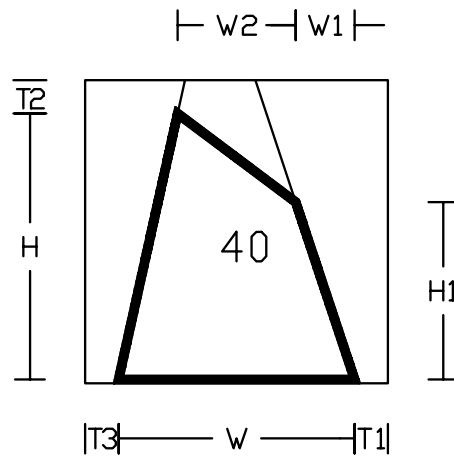
$$H_1 < H$$

$$w_1 + w_2 < w$$

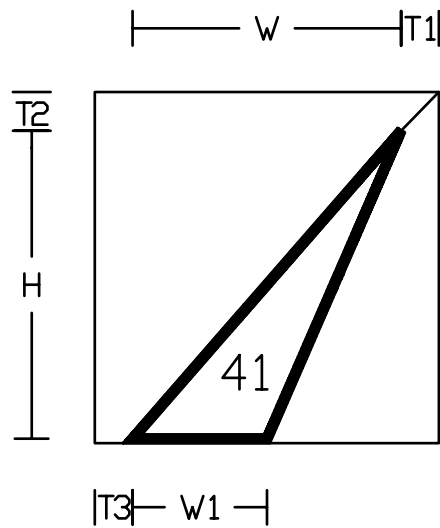
$$w_1 > 0$$

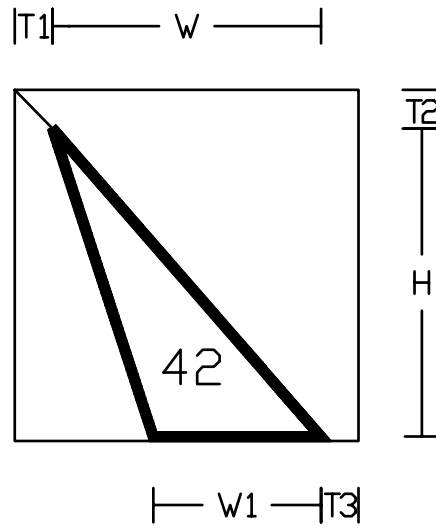
$$w_2 > 0$$

$H1 < H$
 $W1 + W2 < W$
 $W1 > 0$
 $W2 > 0$



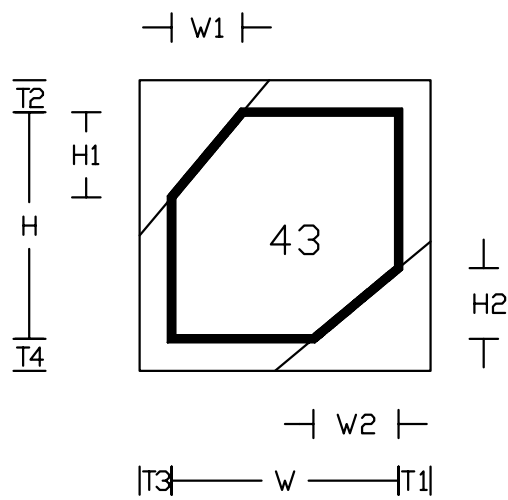
$W > W1 > 0$
 $H > 0$





$$W > W_1 > 0$$

$$H > 0$$



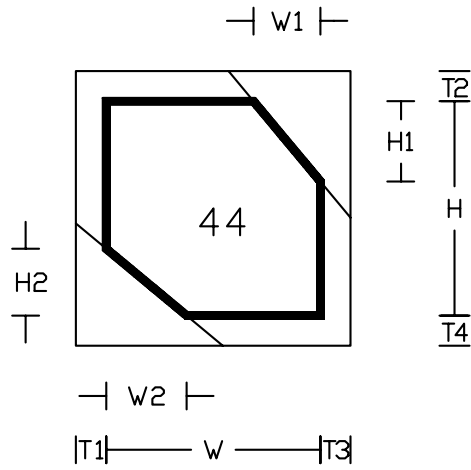
$$H > H_1 > 0$$

$$H > H_2 > 0$$

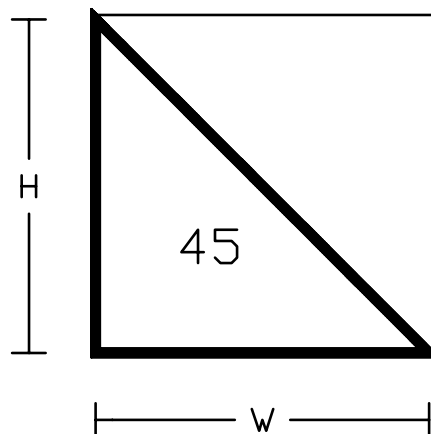
$$W > W_1 > 0$$

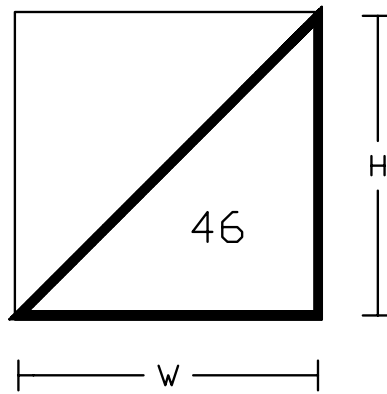
$$W > W_2 > 0$$

$H > H1 > 0$
 $H > H2 > 0$
 $W > W1 > 0$
 $W > W2 > 0$



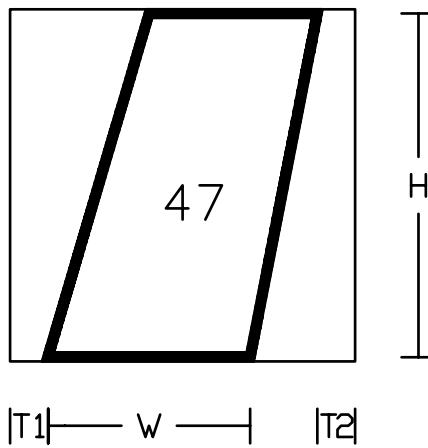
$W > 0$
 $H > 0$





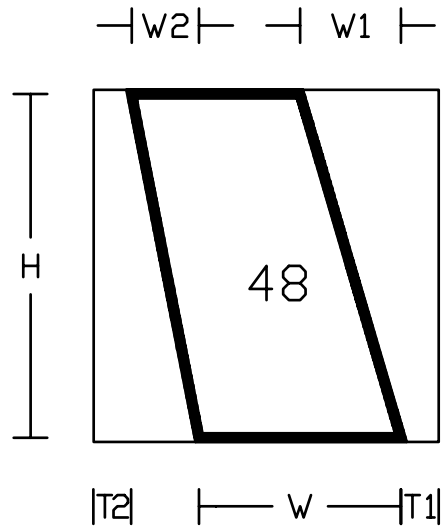
$$W > 0$$
$$H > 0$$

w_1 w_2

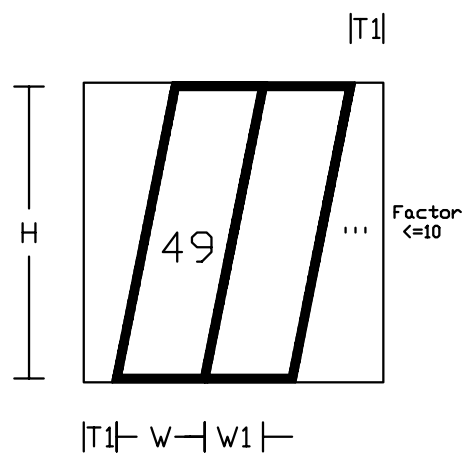


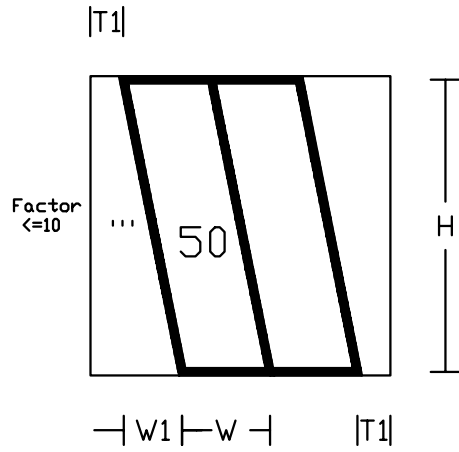
$$W > 0$$
$$H > 0$$
$$W_1 \geq 0$$
$$W_2 \geq 0$$
$$W + W_2 > W_1$$

$W > 0$
 $H > 0$
 $W1 \geq 0$
 $W2 \geq 0$
 $W + W2 > W1$



$W > 0$
 $H > 0$
 $W1 > 0$
 $Factor > 0$



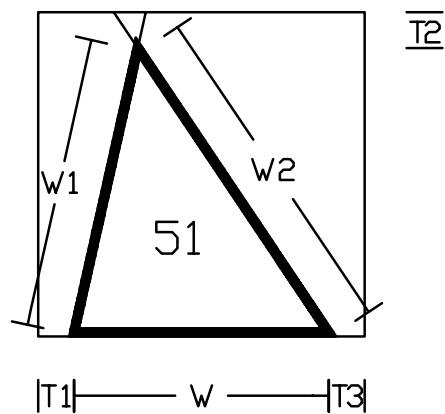


$$W > 0$$

$$H > 0$$

$$W1 > 0$$

$$Factor > 0$$

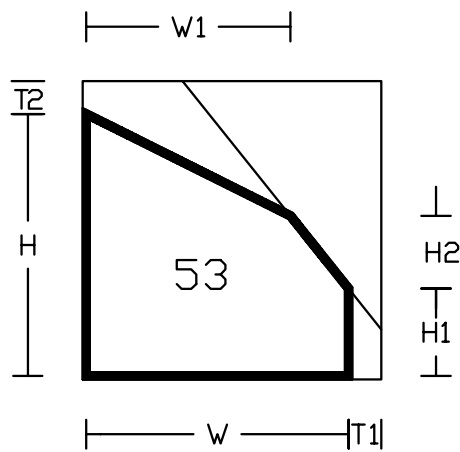
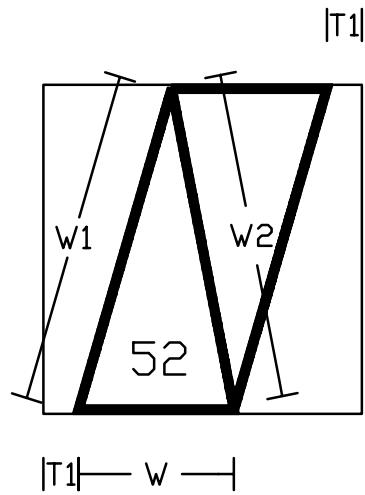


$$W1 \leq \sqrt{W^2 + W2^2}$$

$$W2 \leq \sqrt{W^2 + W1^2}$$

$$W1 \leq \sqrt{W^2 + W2^2}$$

$$W2 \leq \sqrt{W^2 + W1^2}$$



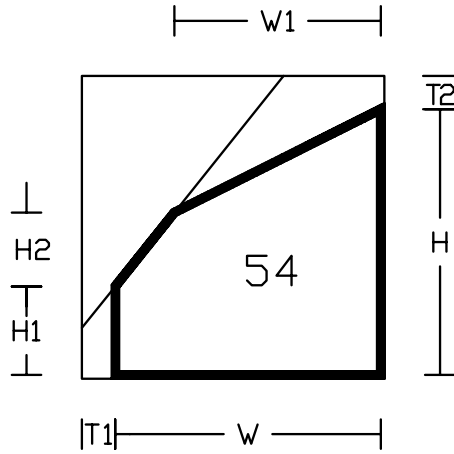
$$H1 > 0$$

$$H2 > 0$$

$$H > H1 + H2 > 0$$

$$W > W1 > 0$$

$$H2 / (W - W1) > (H - H1 - H2) / W1$$



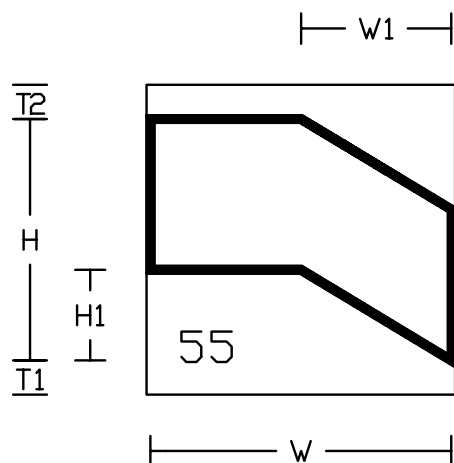
$$H1 > 0$$

$$H2 > 0$$

$$H > H1 + H2 > 0$$

$$W > W1 > 0$$

$$H2 / (W - W1) > (H - H1 - H2) / W1$$



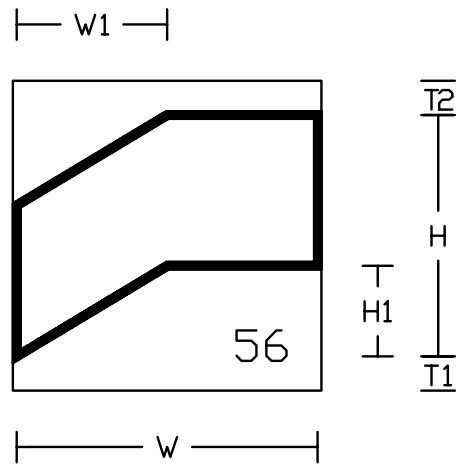
$$H1 > 0$$

$$H2 > 0$$

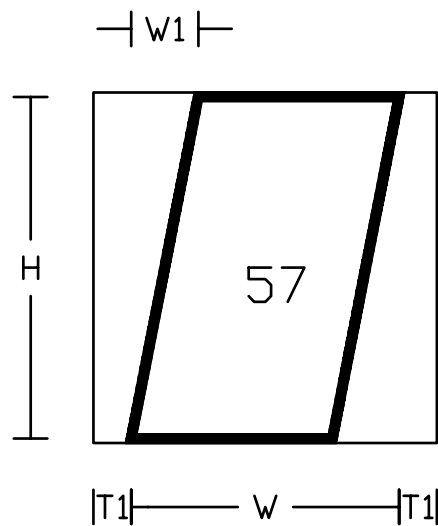
$$H > H1 > 0$$

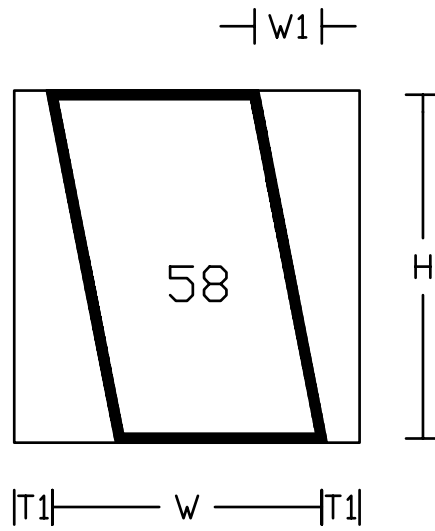
$$W > W1 > 0$$

$H1 > 0$
 $H2 > 0$
 $H > H1 > 0$
 $W > W1 > 0$



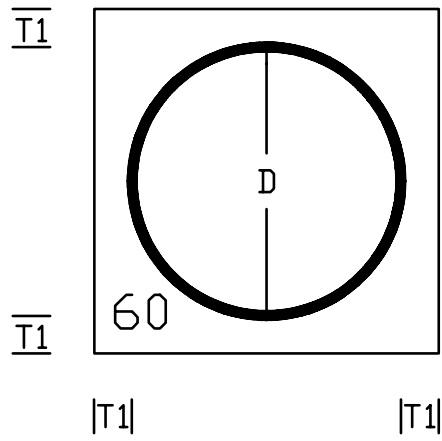
$W1 > 0$



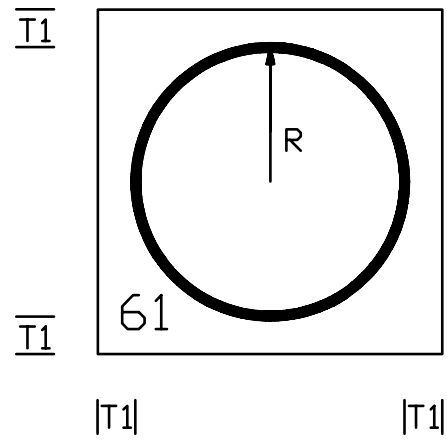


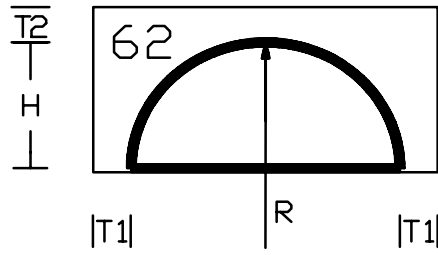
$w_1 > 0$

$D > 0$

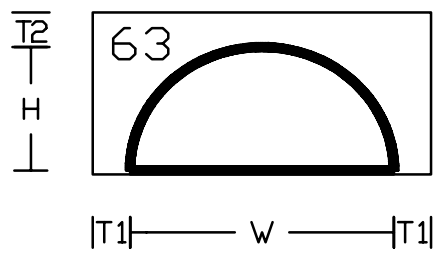


$R > 0$





$H \leq R$
 $H > 0$

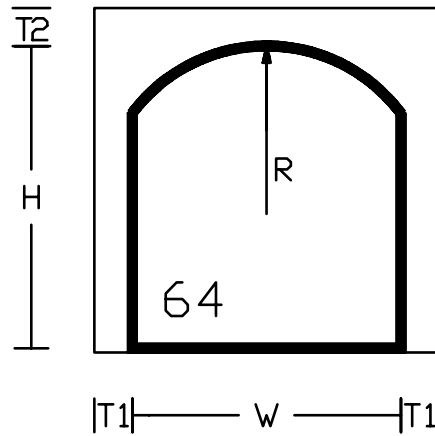


$2 * H \leq W$
 $H > 0$

$$W \leq 2 * R$$

$$R - \sqrt{R^2 - \frac{w^2}{4}} < H$$

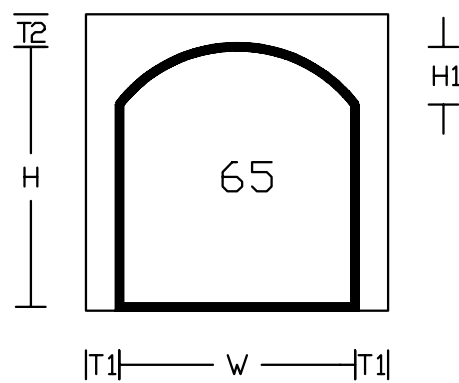
$$R - \sqrt{R^2 - \frac{w^2}{4}} > 0$$

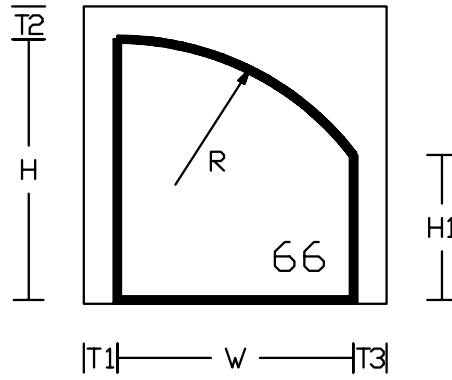


$$2 * H1 \leq W$$

$$H1 < H$$

$$H1 > 0$$





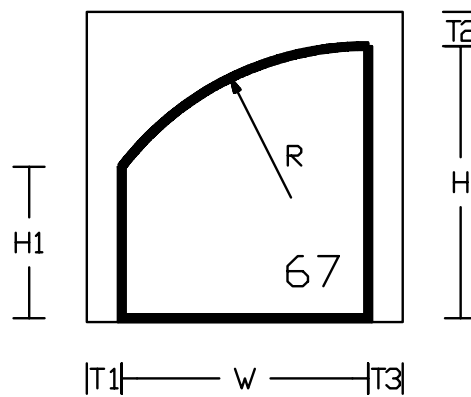
$$H1 < H$$

$$\sqrt{w^2 + (H - H1)^2} \leq 2 * R$$

$$W > 0$$

$$H1 > 0$$

$$R > 0$$



$$H1 < H$$

$$\sqrt{w^2 + (H - H1)^2} \leq 2 * R$$

$$W > 0$$

$$H1 > 0$$

$$R > 0$$

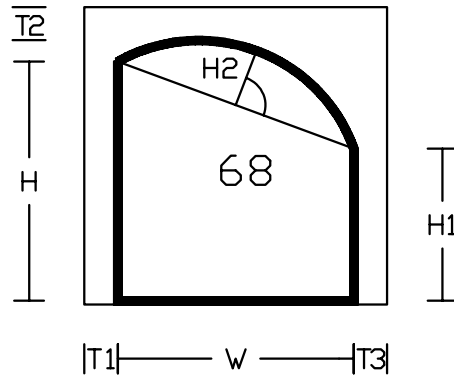
$$H1 < H$$

$$2 * H2 \leq \sqrt{W^2 + (H - H1)^2}$$

$$H2 > 0$$

$$H1 > 0$$

$$W > 0$$



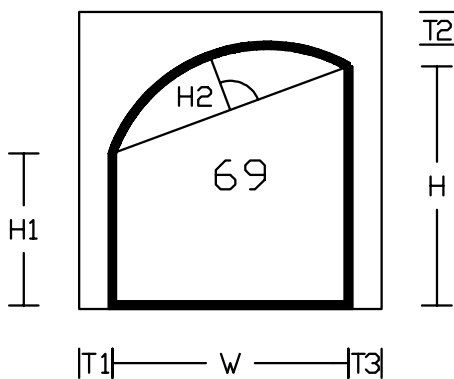
$$H1 < H$$

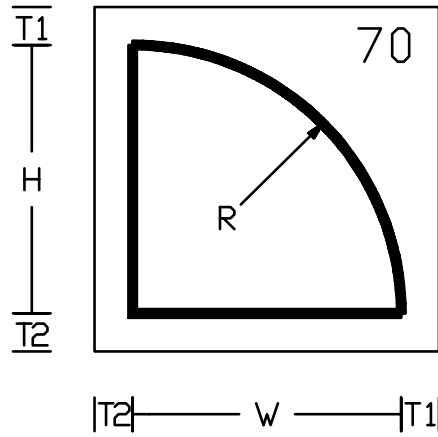
$$2 * H2 \leq \sqrt{W^2 + (H - H1)^2}$$

$$H2 > 0$$

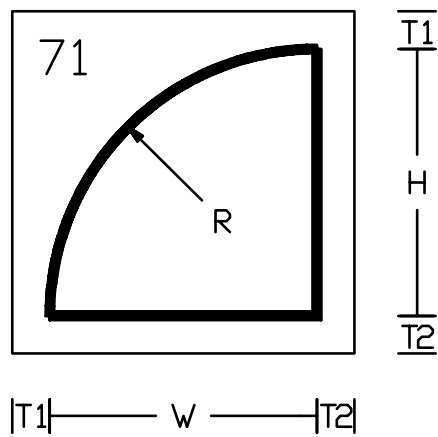
$$H1 > 0$$

$$W > 0$$





$$\sqrt{W^2 + H^2} \leq 2 * R$$
$$H > 0$$
$$W > 0$$



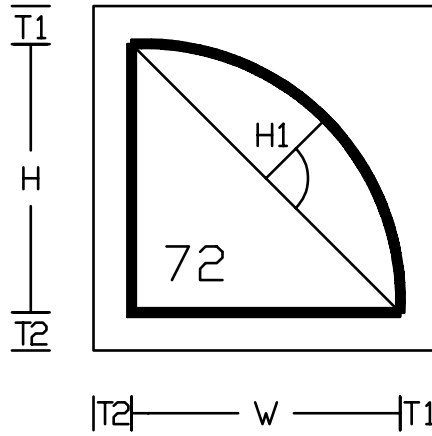
$$\sqrt{W^2 + H^2} \leq 2 * R$$
$$H > 0$$
$$W > 0$$

$$2 * H1 \leq \sqrt{W^2 + H^2}$$

$$W > 0$$

$$H > 0$$

$$H1 > 0$$

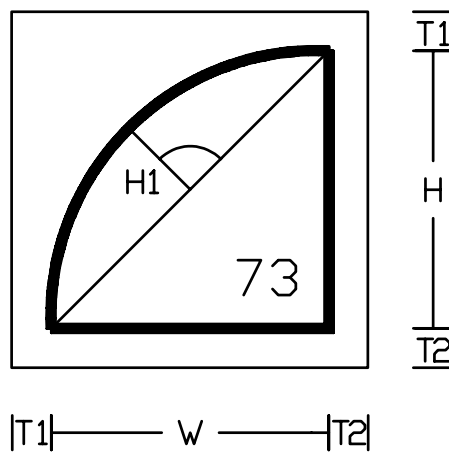


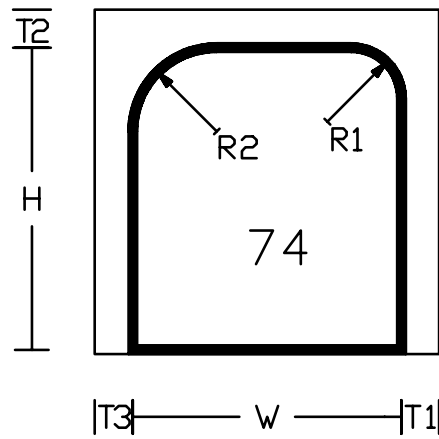
$$2 * H1 \leq \sqrt{W^2 + H^2}$$

$$W > 0$$

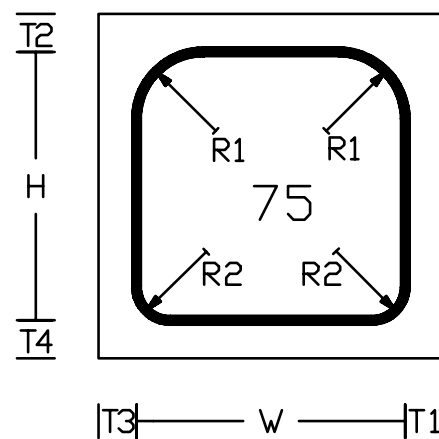
$$H > 0$$

$$H1 > 0$$





$$\begin{aligned} R1 &\leq H \\ R2 &\leq H \\ R1 + R2 &\leq W \\ R1 &> 0 \\ R2 &> 0 \\ W &> 0 \end{aligned}$$



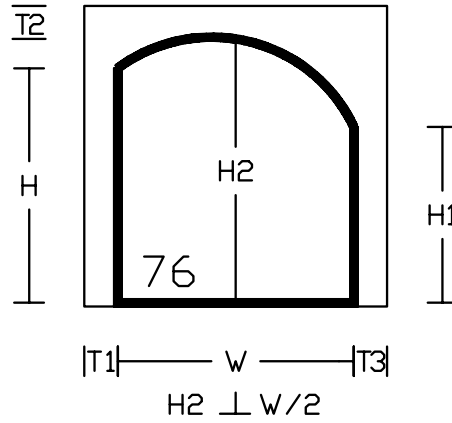
$$\begin{aligned} 2 * R1 &\leq W \\ 2 * R2 &\leq W \\ R1 + R2 &\leq H \\ R1 &> 0 \\ R2 &> 0 \end{aligned}$$

$$H > H1$$

$$H2 > \frac{(H + H1)}{2}$$

$$H1 > 0$$

$$W > 0$$

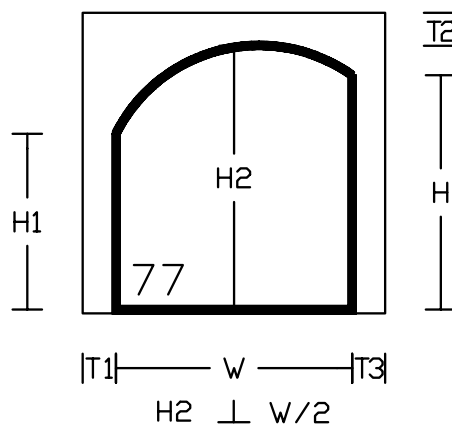


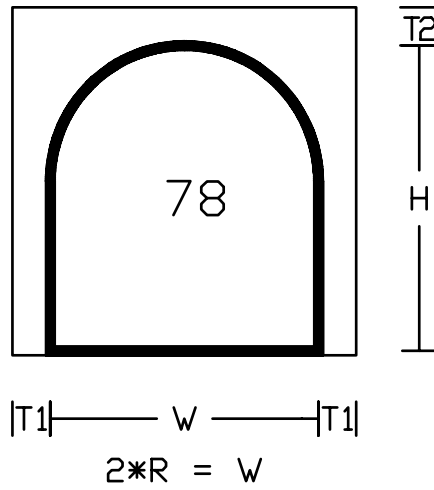
$$H > H1$$

$$H2 > \frac{(H + H1)}{2}$$

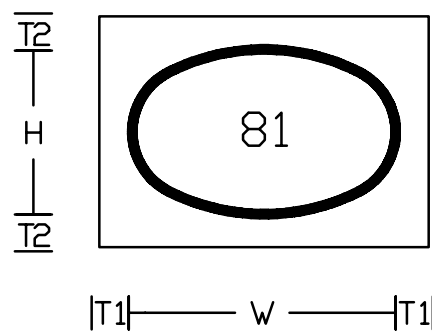
$$H1 > 0$$

$$W > 0$$



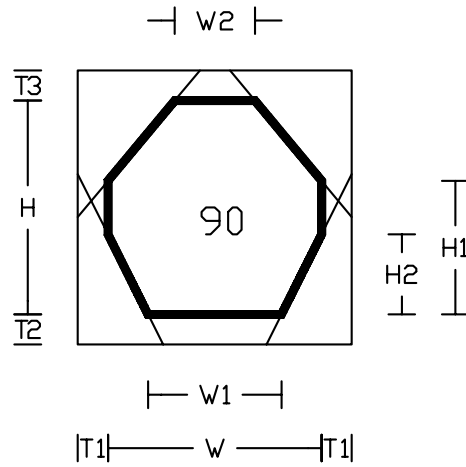


$$H > 0$$
$$W > 0$$
$$H > \frac{W}{2}$$

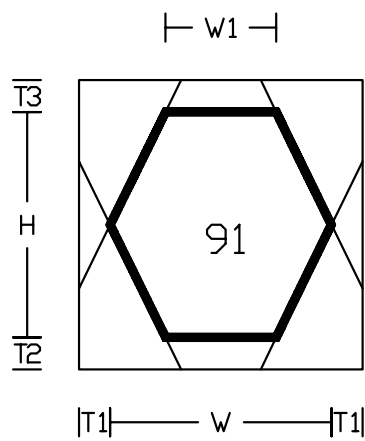


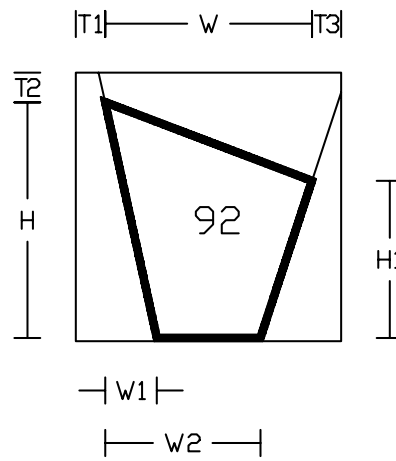
$$H < W < 10 * H$$
$$H > 0$$

$W > W1 > 0$
 $W2 > 0$
 $H > H1 > H2 > 0$

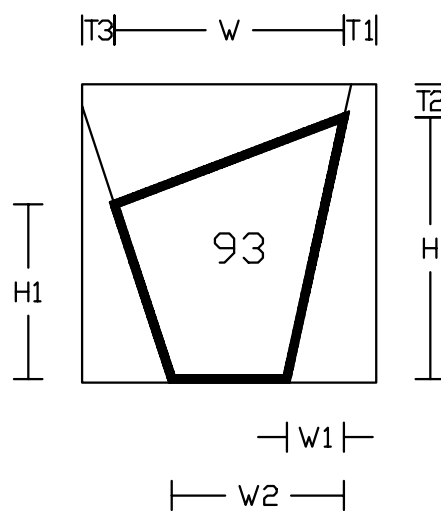


$W > W1 > 0$
 $H > 0$



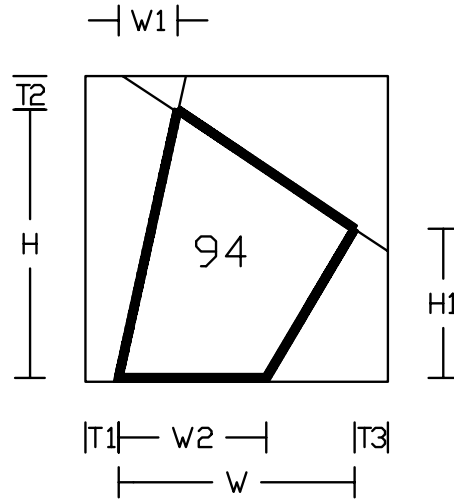


$$\begin{aligned}
 W &\geq W2 \\
 W1 &\geq 0 \\
 W2 &> W \\
 H &\geq H1 > 0
 \end{aligned}$$

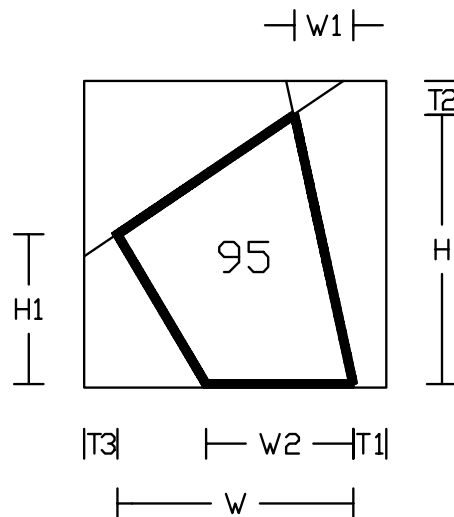


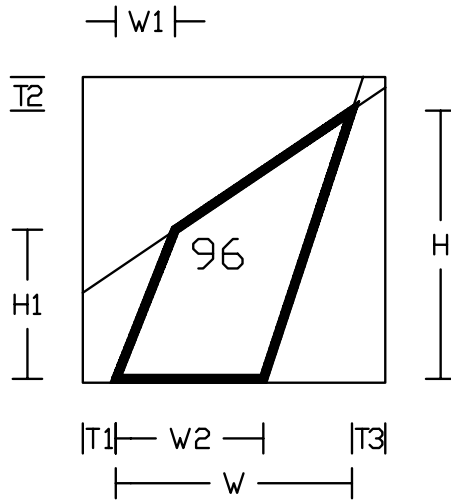
$$\begin{aligned}
 W &\geq W2 \\
 W1 &\geq 0 \\
 W2 &> W \\
 H &\geq H1 > 0
 \end{aligned}$$

$W1 > 0$
 $W2 > 0$
 $W > W1$
 $W > W2$
 $H \geq H1 > 0$

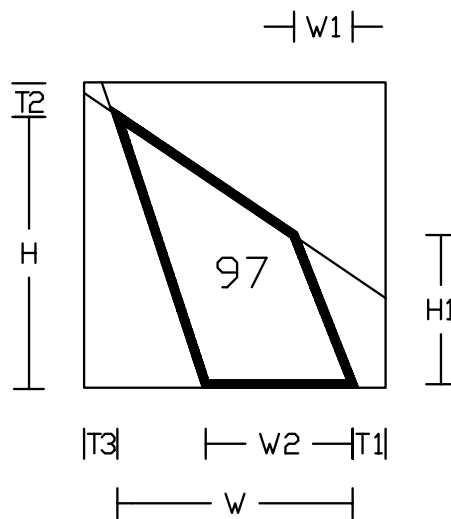


$W1 > 0$
 $W2 > 0$
 $W > W1$
 $W > W2$
 $H \geq H1 > 0$



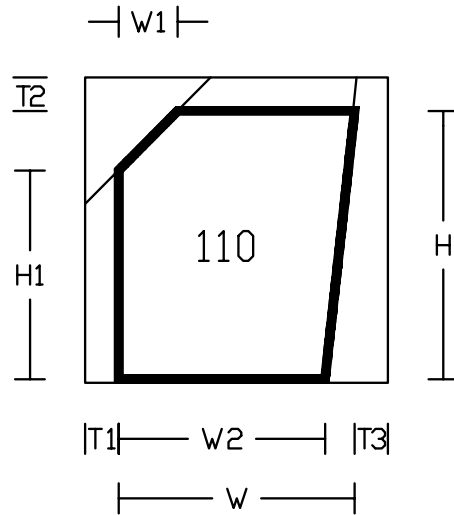


- $W1 > 0$
- $W2 > 0$
- $W > W1$
- $W > W2$
- $H \geq H1 > 0$

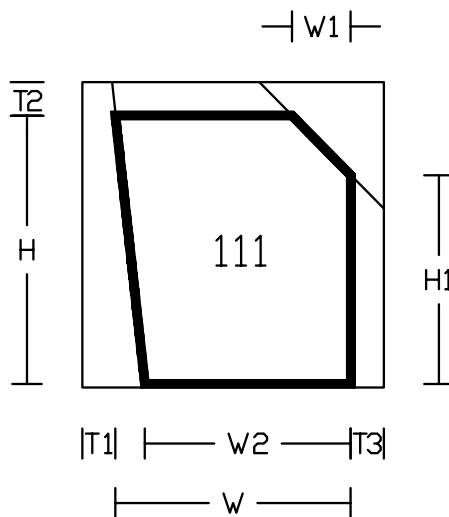


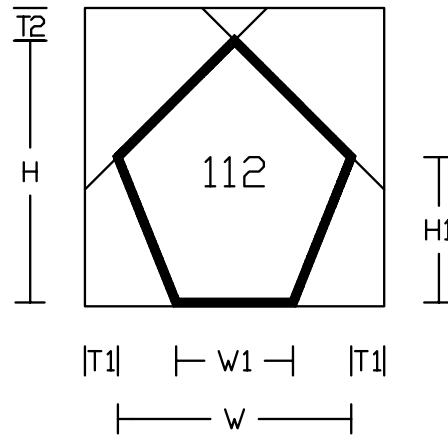
- $W1 > 0$
- $W2 > 0$
- $W > W1$
- $W > W2$
- $H \geq H1 > 0$

$W > W1$
 $W \geq W2$
 $W1 > 0$
 $W2 > 0$
 $H > H1 > 0$

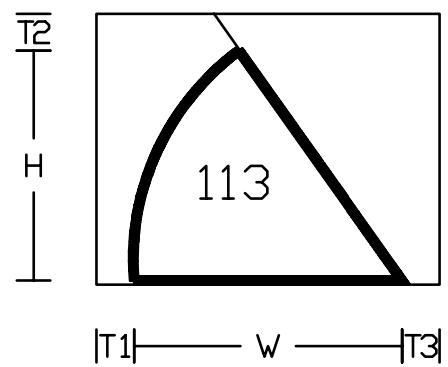


$W > W1$
 $W \geq W2$
 $W1 > 0$
 $W2 > 0$
 $H > H1 > 0$





$$W_1 > 0$$
$$W \geq W_1$$
$$H > H_1 > 0$$

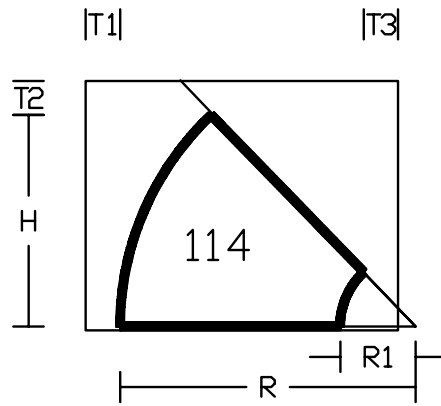


$$H > 0$$
$$W \geq H$$

$$R > R1 > 0$$

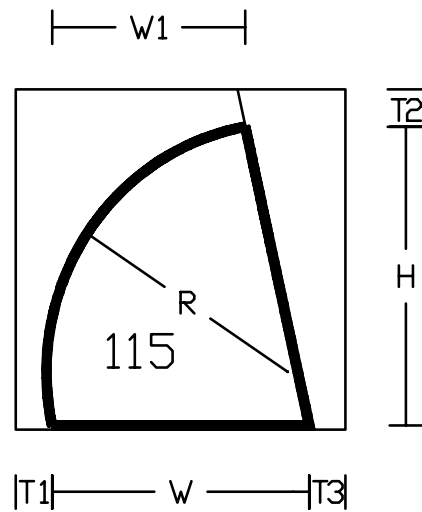
$$R \geq H$$

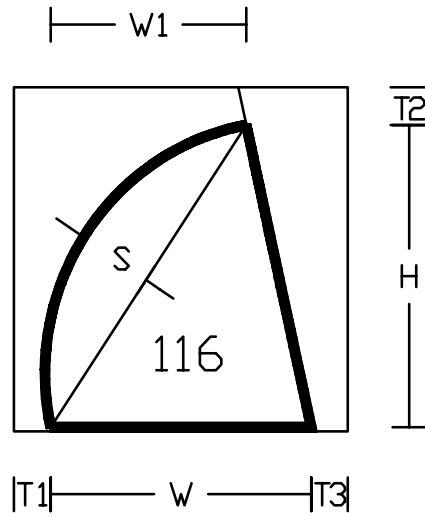
$$H > 0$$



$$W \geq W1 > 0$$

$$2R \geq \sqrt{W1^2 + H^2}$$



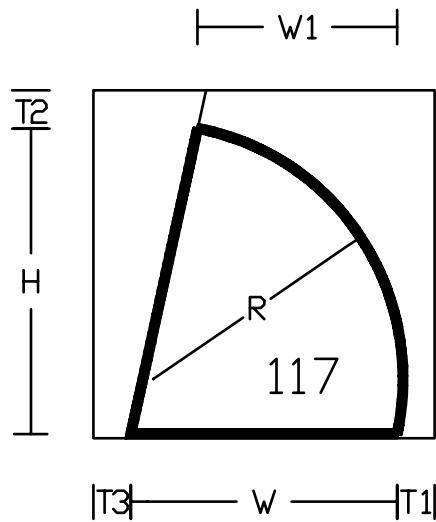


$$W \geq W1 > 0$$

$$S > 0$$

$$H > 0$$

$$2S \geq \sqrt{W1^2 + H^2}$$



$$W \geq W1 > 0$$

$$2R \geq \sqrt{W1^2 + H^2}$$

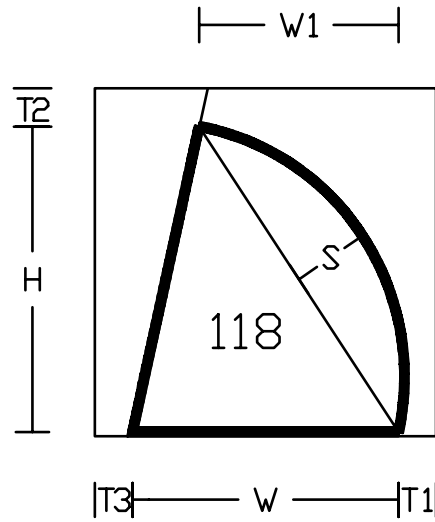
$$H > 0$$

$$W \geq W1 > 0$$

$$S > 0$$

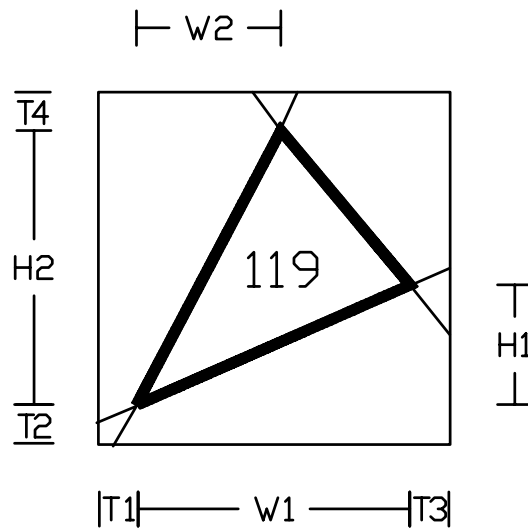
$$H > 0$$

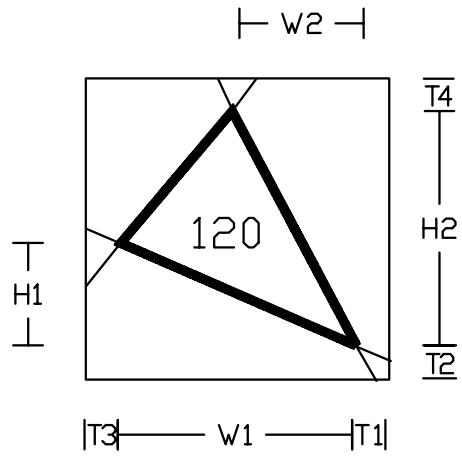
$$2S \geq \sqrt{W1^2 + H^2}$$



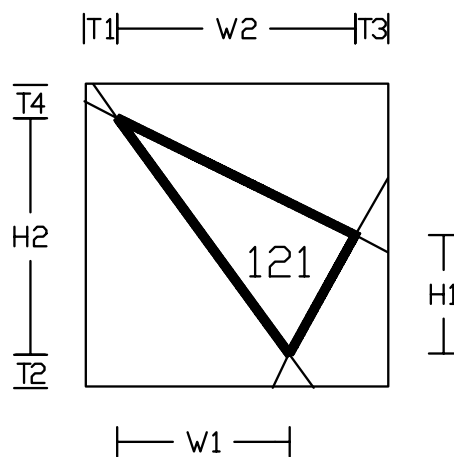
$$W1 > 0$$

$$H2 > 0$$



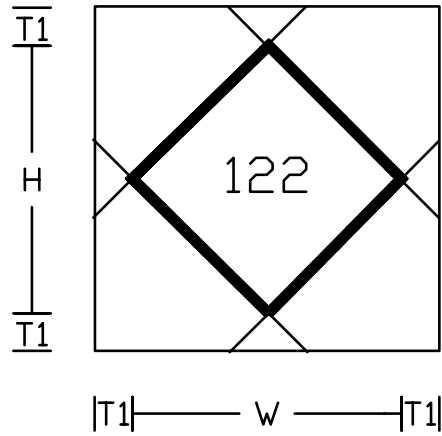


$W1 > 0$
 $H2 > 0$

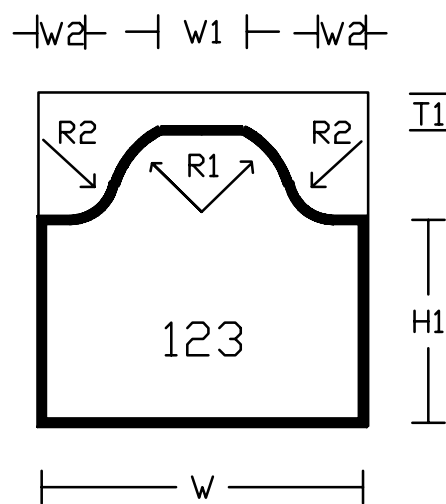


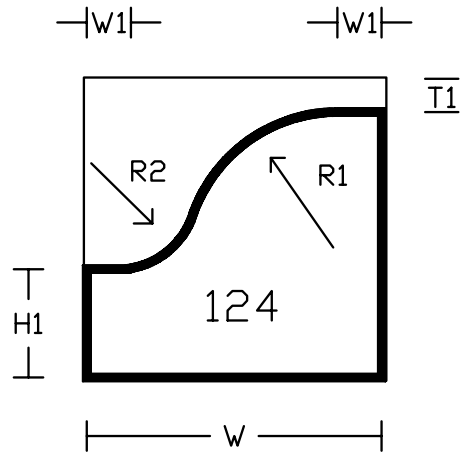
$W1 > 0$
 $W2 \geq W1$
 $H1 > 0$
 $H2 > 0$

$W > 0$
 $H > 0$



$R2 + R1 > \frac{(W - W1 - 2 * W2)}{2}$
 $R1 > 0$
 $R2 > 0$
 $W > 0$



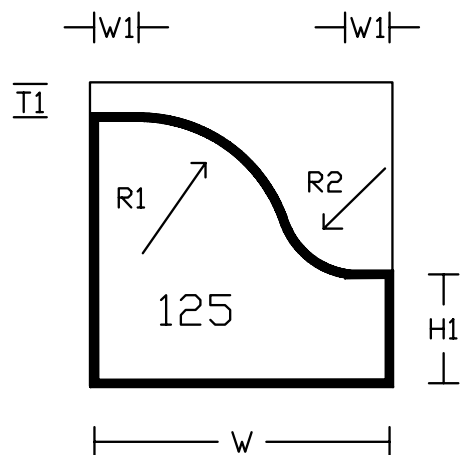


$$R2 + R1 \geq W - 2 * W1$$

$$R1 > 0$$

$$R2 > 0$$

$$W > 0$$

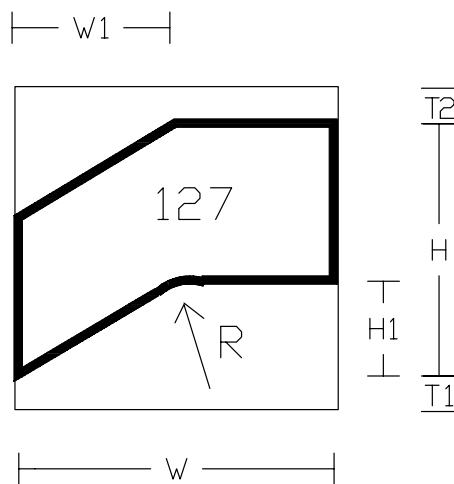
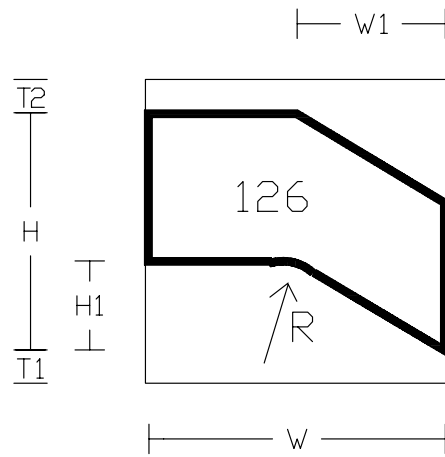


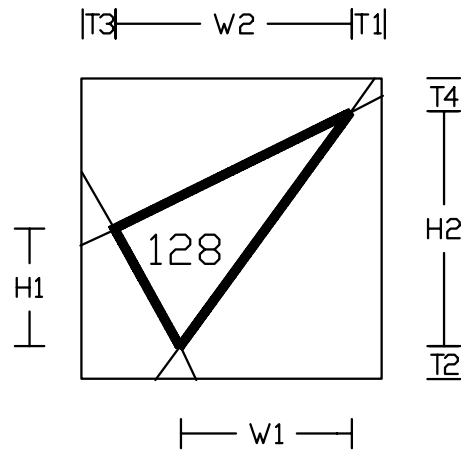
$$R2 + R1 \geq W - 2 * W1$$

$$R1 > 0$$

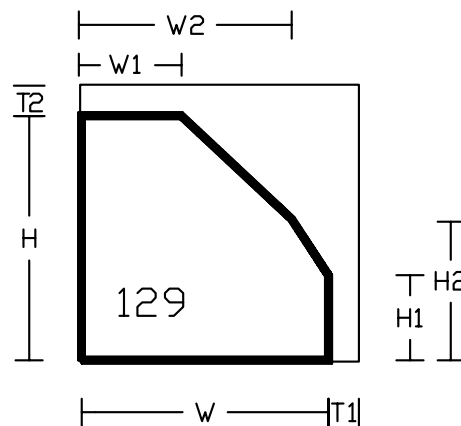
$$R2 > 0$$

$$W > 0$$





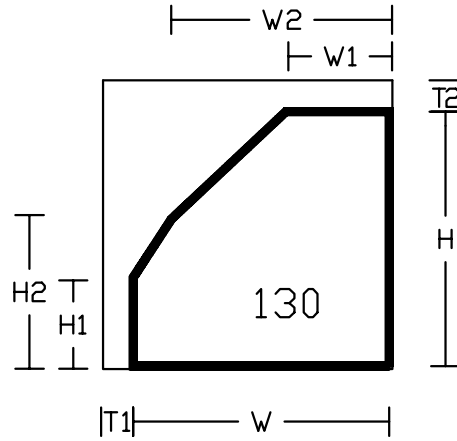
$$\begin{aligned}
 W1 &> 0 \\
 W2 &\geq W1 \\
 H1 &> 0 \\
 H2 &> 0
 \end{aligned}$$



$$\begin{aligned}
 \frac{H - H1}{W - W1} &> \frac{H - H2}{W2 - W1} \\
 W1 &> 0 \\
 W2 &> W1 \\
 W &> W2 \\
 H1 &> 0 \\
 H2 &> H1 \\
 H &> H2
 \end{aligned}$$

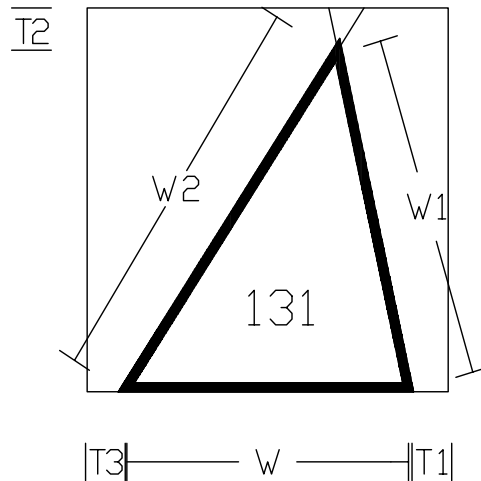
$$\frac{H - H1}{W - W1} > \frac{H - H2}{W2 - W1}$$

$W1 > 0$
 $W2 > W1$
 $W > W2$
 $H1 > 0$
 $H2 > H1$
 $H > H2$

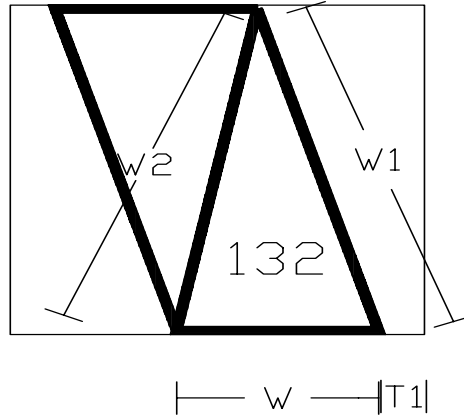


$$W1 \leq \sqrt{W^2 + W2^2}$$

$$W2 \leq \sqrt{W^2 + W1^2}$$

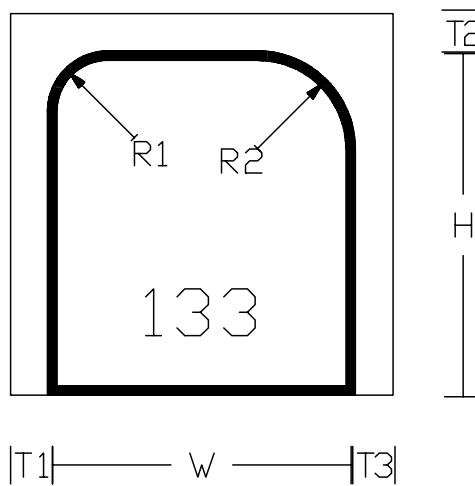


|T1|



$$w1 \leq \sqrt{w^2 + w2^2}$$

$$w2 \leq \sqrt{w^2 + w1^2}$$



$$R1 \leq H$$

$$R2 \leq H$$

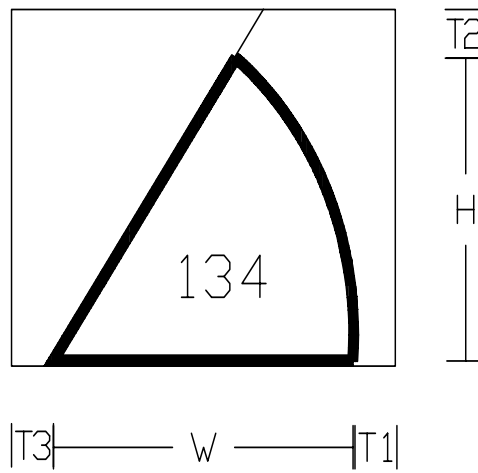
$$R1 + R2 \leq w$$

$$R1 > 0$$

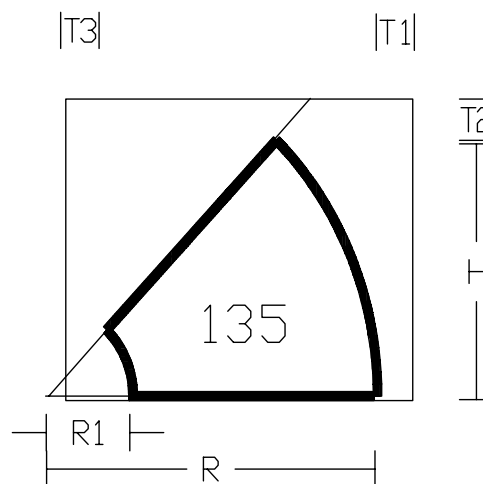
$$R2 > 0$$

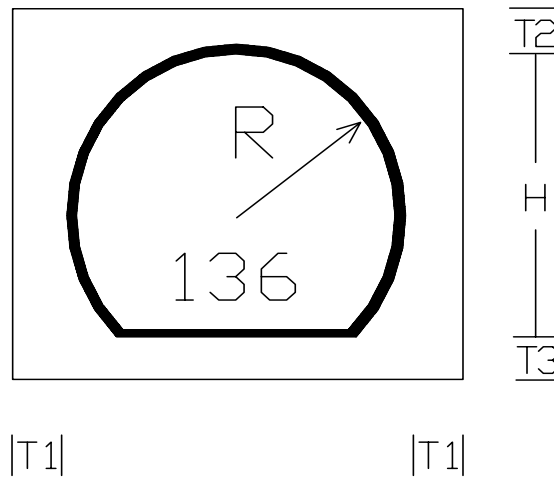
$$w > 0$$

$H > 0$
 $W \geq H$



$R > R1 > 0$
 $R \geq H$
 $H > 0$





$$H \geq R > 0$$
$$(2 * R) > H$$

Variable-list for A&W shapes

Nb. of Segments

Shape no	1:	W,H,H1,T1,T2	4
Shape no	2:	W,H,H1,T1,T2	4
Shape no	3:	W,W1,H,H1,T1,T2	5
Shape no	4:	W,W1,H,H1,T1,T2	5
Shape no	5:	W,W1,W2,H,T1,T2,T3	4
Shape no	6:	W,W1,W2,H,T1,T2,T3	4
Shape no	7:	W,W1,W2,H,H1,T1,T2,T3	5
Shape no	8:	W,W1,W2,H,H1,T1,T2,T3	5
Shape no	9:	W,W1,W2,H,H1,H2,T1,T2,T3	6
Shape no	10:	W,W1,W2,H,H1,H2,T1,T2,T3	6
Shape no	11:	W,W1,H,H1,T1,T2,T3	4
Shape no	12:	W,W1,H,H1,T1,T2,T3	4
Shape no	13:	W,W1,H,H1,T1,T2,T3	4
Shape no	14:	W,W1,H,H1,T1,T2	4
Shape no	15:	W,W1,H,H1,T1,T2	4
Shape no	16:	W,W1,H,H1,T1,T2,T3	4
Shape no	17:	W,W1,H,H1,T1,T2	4
Shape no	18:	W,W1,H,H1,T1,T2	4
Shape no	19:	W,W1,H,H1,T1,T2	8
Shape no	20:	W,T1	3
Shape no	21:	W,T1	5
Shape no	22:	W,T1	6
Shape no	23:	W,T1	7
Shape no	24:	W,T1	8
Shape no	25:	W,W1,H,T1,T2,T3	3
Shape no	26:	W,W1,H,T1,T2,T3	3
Shape no	27:	W,W1,H,T1	3
Shape no	28:	W,W1,H,T1	3
Shape no	30:	W,H,H1,H2	4
Shape no	31:	W,H,H1,H2	4
Shape no	32:	W,W1,W2,H,T1	4
Shape no	33:	W,H,T1	3
Shape no	34:	W,H,T1	3
Shape no	35:	W,W1,H,T1	4
Shape no	36:	W,W1,H,T1	4
Shape no	37:	W,W1,H,H1,H2,T1,T2,T3	5
Shape no	38:	W,W1,H,H1,H2,T1,T2,T3	5
Shape no	39:	W,W1,W2,H,H1,T1,T2,T3	4
Shape no	40:	W,W1,W2,H,H1,T1,T2,T3	4

Variable-list for A&W shapes

Nb. of Segments

Shape no	41:	W,W1,H,T1,T2,T3	3
Shape no	42:	W,W1,H,T1,T2,T3	3
Shape no	43:	W,W1,W2,H,H1,H2,T1,T2,T3,T4	6
Shape no	44:	W,W1,W2,H,H1,H2,T1,T2,T3,T4	6
Shape no	45:	W,H	3
Shape no	46:	W,H	3
Shape no	47:	W,W1,W2,H,T1,T2	4
Shape no	48:	W,W1,W2,H,T1,T2	4
Shape no	49:	W,W1,H,Factor,T1	4
Shape no	50:	W,W1,H,Factor,T1	4
Shape no	51:	W,W1,W2,T1,T2,T3	3
Shape no	52:	W,W1,W2,T1	3
Shape no	53:	W,W1,H,H1,H2,T1,T2	5
Shape no	54:	W,W1,H,H1,H2,T1,T2	5
Shape no	55:	W,W1,H,H1,T1,T2	6
Shape no	56:	W,W1,H,H1,T1,T2	6
Shape no	57:	W,W1,H,T1	4
Shape no	58:	W,W1,H,T1	4
Shape no	60:	D,T1	1
Shape no	61:	R,T1	1
Shape no	62:	R,H,T1,T2	2
Shape no	63:	W,H,T1,T2	2
Shape no	64:	W,R,H,T1,T2	4
Shape no	65:	W,H,H1,T1,T2	4
Shape no	66:	W,R,H,H1,T1,T2,T3	4
Shape no	67:	W,R,H,H1,T1,T2,T3	4
Shape no	68:	W,H,H1,H2,T1,T2,T3	4
Shape no	69:	W,H,H1,H2,T1,T2,T3	4
Shape no	70:	W,R,H,T1,T2	3
Shape no	71:	W,R,H,T1,T2	3
Shape no	72:	W,H,H1,T1,T2	3
Shape no	73:	W,H,H1,T1,T2	3
Shape no	74:	W,R1,R2,H,T1,T2,T3	2
Shape no	75:	W,R1,R2,H,T1,T2,T3,T4	1
Shape no	76:	W,H,H1,H2,T1,T2,T3	4
Shape no	77:	W,H,H1,H2,T1,T2,T3	4
Shape no	78:	W,H,T1,T2	2

Variable-list for A&W shapes

Nb. of Segments

Shape no	81:	W,H,T1,T2	1
Shape no	90:	W,W1,H,H1,H2,T1,T2,T3	8
Shape no	91:	W,W1,H,T1,T2,T3	6
Shape no	92:	W,W1,W2,H,H1,T1,T2,T3	4
Shape no	93:	W,W1,W2,H,H1,T1,T2,T3	4
Shape no	94:	W,W1,W2,H,H1,T1,T2,T3	4
Shape no	95:	W,W1,W2,H,H1,T1,T2,T3	4
Shape no	96:	W,W1,W2,H,H1,T1,T2,T3	4
Shape no	97:	W,W1,W2,H,H1,T1,T2,T3	4
Shape no	110:	W,W1,W2,H,H1,T1,T2,T3	5
Shape no	111:	W,W1,W2,H,H1,T1,T2,T3	5
Shape no	112:	W,W1,H,H1,T1,T2	5
Shape no	113:	W,H,T1,T2,T3	3
Shape no	114:	R,R1,H,T1,T2,T3	4
Shape no	115:	W,W1,R,H,T1,T2,T3	3
Shape no	116:	W,W1,H,S,T1,T2,T3	3
Shape no	117:	W,W1,R,H,T1,T2,T3	3
Shape no	118:	W,W1,H,S,T1,T2,T3	3
Shape no	119:	W1,W2,H1,H2,T1,T2,T3,T4	3
Shape no	120:	W1,W2,H1,H2,T1,T2,T3,T4	3
Shape no	121:	W1,W2,H1,H2,T1,T2,T3,T4	3
Shape no	122:	W,H,T1	4
Shape no	123:	W,W1,W2,H1,R1,R2,T1	4
Shape no	124:	W,W1,H1,T1,R1,R2	4
Shape no	125:	W,W1,H1,T1,R1,R2	4
Shape no	126:	W,W1,H,H1,T1,T2,R	5
Shape no	127:	W,W1,H,H1,T1,T2,R	5
Shape no	128:	W1,W2,H,H1,T1,T2,T3,T4	3
Shape no	129:	W,W1,W2,H,H1,H2,T1,T2	6
Shape no	130:	W,W1,W2,H,H1,H2,T1,T2	6
Shape no	131:	W,W1,W2,T1,T2,T3	3
Shape no	132:	W,W1,W2,T1	4
Shape no	133:	W,R1,R2,H,T1,T2,T3	6
Shape no	134:	W,H,T1,T2,T3	3
Shape no	135:	R,R1,H,T1,T2,T3	4
Shape no	136:	R,H,T1,T2,T3	2

